

**Idaho High School Activities Association**

# **2005 State Volleyball**



## **Tournament Manual**

**United Dairymen of Idaho  
The Official Sponsor of IHSAA  
State Championship Events**

## 2005-2006 State Tournament Host Hotels

The following hotels have agreed to serve as the 2005-2006 State Tournament Host Hotels by providing complimentary rooms for tournament officials. We appreciate their generous support and urge member schools to patronize these Partners in Youth Development.

### EAST BOISE

<b>HOLIDAY INN</b>	<b>3300 Vista Ave.</b>	<b>208-344-8365</b>
<b>DOUBLETREE CLUB HOTEL</b>	<b>475 W. Parkcenter Blvd.</b>	<b>208-345-2002</b>
<b>SPRINGHILL SUITES BY MARRIOTT</b>	<b>424 E. Parkcenter Blvd.</b>	<b>208-342-1044</b>
<b>HAMPTON INN</b>	<b>3270 S. Shoshone</b>	<b>208-331-5600</b>
<b>FAIRFIELD INN BY MARRIOTT</b>	<b>3300 S. Shoshone</b>	<b>208-331-5656</b>

### WEST BOISE / NAMPA

<b>SPRINGHILL SUITES</b>	<b>6325 N. Cloverdale Rd, Boise</b>	<b>208-939-8266</b>
<b>SHILO INNS &amp; RESORTS</b>		
<b>Nampa Suites</b>	<b>1401 Shilo Dr., Nampa</b>	<b>208-465-3250</b>
<b>Nampa Blvd</b>	<b>617 Nampa Blvd., Nampa</b>	<b>208-466-8993</b>
<b>Boise Airport</b>	<b>4111 Broadway, Boise</b>	<b>208-343-7662</b>
<b>Boise Riverside</b>	<b>3031 Main, Boise</b>	<b>208-344-3521</b>
<b>HAMPTON INN, MERIDIAN</b>	<b>875 S. Allen, Meridian</b>	<b>208-887-3600</b>
<b>RODEWAY INN</b>	<b>1115 N. Curtis Rd., Boise</b>	<b>208-376-2700</b>

### COEUR D'ALENE AREA

<b>COEUR D'ALENE INN</b>	<b>414 W Appleway, CDA</b>	<b>208-765-3200</b>
<b>SHILO INN</b>	<b>702 W Appleway, CDA</b>	<b>208-664-2300</b>
<b>TEMPLIN'S RESORT</b>	<b>414 E. First Ave, Post Falls</b>	<b>208-773-1611</b>

### IDAHO FALLS AREA

<b>SHILO INN</b>	<b>780 Lindsey Blvd., IF</b>	<b>208-523-0088</b>
------------------	------------------------------	---------------------

### LEWISTON AREA

<b>RED LION LEWISTON</b>	<b>621 21<sup>st</sup> St., Lewiston</b>	<b>208-748-1000</b>
--------------------------	--	---------------------

### MOSCOW AREA

<b>UNIVERSITY INN</b>	<b>1516 Pullman Rd</b>	<b>208-882-0550</b>
-----------------------	------------------------	---------------------

### POCATELLO AREA

<b>CALL POCATELLO CONVENTION AND VISITORS BUREAU</b>		<b>208-235-7659</b>
--	--	---------------------

### TWIN FALLS AREA

<b>SHILO INN</b>	<b>1586 Blue Lakes Blvd., T.F.</b>	<b>208-733-7545</b>
------------------	------------------------------------	---------------------

**TABLE OF CONTENTS**

**GENERAL INFORMATION**

Table of Contents..... 3  
State Tournament Managers..... 4  
Admission..... 4  
Tournament Admission Policy..... 4  
All-Tournament Teams..... 4  
Awards..... 4  
Crowd Control..... 4  
Lost and Found..... 5  
Dressing Rooms..... 5  
Motel Conduct/Headquarters..... 5  
National Anthem..... 5  
Sportsmanship Rules..... 5  
Number of Players..... 5  
Official Volleyball..... 5  
Official Rules..... 5  
Pairings, Sites and Times..... 5  
1A Pool Play..... 6  
Brackets..... 6-8  
Parade of Athletes..... 8  
Pep Bands, Pep Clubs, etc..... 9  
Pre-Tournament Practice..... 9  
Programs..... 9  
Protests..... 9  
Representation..... 9  
Rosters and Team Pictures..... 9  
T-Shirts..... 9  
Towels..... 9  
Training Room..... 10  
Warm-up Between Matches..... 10  
Warm-up and Practice Between Games..... 10

**MEDIA INFORMATION**

Media Credentials..... 10  
TV Rights..... 10

**OFFICIALS**

Assignment..... 10  
Line Judges..... 10  
Official Scorer..... 10

**PRE TOURNAMENT MEETINGS**

5A / 4A Pre Tournament Meeting..... 10  
3A Pre Tournament Meeting..... 10  
2A Pre Tournament Meeting..... 10  
1A Pre-Tournament Meeting..... 10  
Hospitality Room..... 10  
Dressing Rooms..... 10  
District Play-Offs..... 11  
State Volleyball Records..... 11

## Site Tournament Managers

### **5A**

Date: October 28 - 29  
Site: Post Falls High School  
Mgr.: Craig Christensen  
Post Falls High School  
PO Box 40 / 2832 E Poleline Rd  
Post Falls 83877  
Ph.: 773-0581

### **4A**

Date: October 28 - 29  
Site: Lake City High School  
Mgr.: Jim Winger  
Lake City High School  
6101 Ramsey Road  
Coeur d'Alene 83815  
Ph: 769-0769

### **3A**

Date: October 28 - 29  
Site: Coeur d'Alene High School  
Mgr: Larry Schwenke  
Coeur d'Alene High School  
5530 N 4th  
Coeur d'Alene 83814  
Ph: 667-4500

### **2A**

Date: October 28 - 29  
Site: Lewiston High School  
Mgr.: Ken Krahn  
Lewiston High School  
1114 9th Ave  
Lewiston 83501  
Ph.: 748-3104

### **1A**

Date: October 27 - 29  
Site: Lewis-Clark State College / Lewiston High School (one day only)  
Mgr.: Jamie White / Ken Krahn  
Lewis-Clark State College / Lewiston High School  
500 8th Ave / 1114 9th Ave  
Lewiston 83501  
Ph.: Jamie White 799-2273  
Ph.: Ken Krahn 748-3104

## Admission

Tournament Pass - General	\$20.00
Tournament Pass - Discount	\$10.00
General Admission	\$ 5.00
Discount Ticket	\$ 4.00

Students in grades 1-6 and students in grades 7-12 with an activity card may purchase the discount ticket. Children under 6 admitted free.

## Tournament Admission Policy

Coaches participating in the tournament will gain admission with a tournament pass issued from the tournament manager. It should be emphasized that the coach's IHSAA activity card number will be treated as having only ONE ADMISSION ELIGIBLE for each session. **Only one person will be admitted on the participating coach's IHSAA activity card** if the coach has been issued a tournament pass.

**Statisticians, bus drivers, pep club members, additional cheerleaders, and additional band members** will need to purchase tickets unless the principal or other administrator of the participating school arranges for these people to be admitted by signing the special form at the admission gate. The school will be invoiced later.

## All-Tournament Teams

The IHSAA is philosophically opposed to all-tournament team selections.

If the media wishes to conduct a poll, that is no concern of ours, but we do not want to condone it by announcing it at the tournament.

## Awards

Trophies will be awarded to first, second, third, and fourth place teams. Medals will be awarded to members of the Champion and Runner-up teams. The presentation of awards will be as follows: The fourth place and third place trophies will be awarded at the conclusion of those matches. The second place and championship trophies will be presented at the conclusion of the championship game. The runner-up trophy will be awarded and the coach will introduce each of the players and present them with their medal. The same procedure will be followed for the championship trophy and medal presentation.

## Crowd Control

The IHSAA wishes to continue close supervision of the crowds at state tournaments and asks for the continued support and cooperation of administrators in enforcing the following rules:

1. No one other than authorized individuals will be allowed on the floor.
2. Persons jumping the railing or other barrier to enter the floor area will be removed from the premises for the remainder of the tournament.
3. Parents of participants will not be allowed on the floor.

### **Lost and Found**

The lost and found will be at the tournament manager's office.

### **Dressing Rooms**

Dressing rooms will be assigned daily, but due to limited space, teams are encouraged to dress in their motel rooms. Arrangements can be made to lock up valuables.

### **Motel Conduct**

Each year a few athletes create a bad image for the rest by their uncontrolled behavior in motels. Coaches are encouraged to check rooms closely upon arrival and at departure. Please make sure athletes are properly supervised.

### **Motel Headquarters**

See the inside front cover for the motels designated as headquarters for the state volleyball tournament. We encourage all schools to take advantage of their special rates.

### **National Anthem**

The National Anthem will be played Friday morning prior to match 1, at the conclusion of the Parade of Athletes ceremony prior to match 6, and on Saturday morning prior to match 9.

### **Sportsmanship Rules**

#### **Noisemakers**

Artificial noisemakers such as bells, whistles, air horns, megaphones and balloons are prohibited. Each school is responsible for the conduct of its students, and with cooperation we can ensure that all teams play in a fair, sportsmanlike atmosphere.

#### **Signs**

Signs and banners will be limited to the area in front of each school's cheering section. Please do not tape signs to painted surfaces. Posters and/or banners must show only positive support. Those which direct negative comments towards opponents or are unsportsmanlike or vulgar are not permitted.

#### **Face Painting**

Full face painting is not permitted. Partial face painting is permitted such as small markings on the cheeks, nose or forehead.

#### **Attire**

Bare chests are not permitted. Shirts must be worn.

### **Number of Players**

Each school represented at the tournament may have twelve players in uniform at the start of competition. Passes will be provided for twelve players, two managers and one assistant coach. If more than twelve players are in uniform at the start of competition, the match shall be forfeited. EXCEPTION: 5A and 4A teams may suit 15 players. A maximum of 20 people, composed of players, managers, coaches, statisticians and trainers, may be seated on the floor.

### **Official Volleyball**

Official 18-panel leather volleyball.

### **Official Rules**

National Federation rules for rally scoring will be used for all Idaho volleyball games. With 3 out of 5, Game 15 (the "if" game) will be 2 out of 3. Scoring will be 25 with a 30 point cap. The third game will be 15 with no cap

### **Pairing, Sites and Times**

#### **1A Thursday, October 27 — Lewis-Clark State College, Jamie White**

Match 1	11:00 a.m.	Match 4	3:30 p.m.
Match 2	12:30 p.m.	Match 5	6:00 p.m.
Match 3	2:00 p.m.	Match 6	7:30 p.m.

**1A Thursday Pool Play**  
**Rally scoring: best 2/3 will be used for pool play on Thursday**

<u>Lewis-Clark State College</u>		<u>Lewiston High School</u>	
Net 1	Net 2	Net 1	Net 2
Pool A	Pool B	Pool C	Pool D
3A 5-6A	1A 4B	2A 3B	4A 2B
4C 2C	5-6B 3D	1B 4D	3C 4E
3A 4C	1A 5-6B	2A 1B	4A 4E
5-6A 2C	4B 3D	3B 4D	2B 3C
3A 2C	1A 3D	2A 4D	4A 3C
4C 5-6A	5-6B 4B	3B 1B	2B 4E

**Tie breaker: matches won/lost; games won/lost; points for/against/coin toss**

**Time Schedules**

**Friday, October 28: All classifications**

<u>Session 1</u>		<u>Session 2</u>	
Match 1	8:30 a.m.	Match 5	3:30 p.m.
Match 2	10:00 a.m.	Match 6	5:15 p.m.
Match 3	11:30 a.m.	Match 7	6:45 p.m.
Match 4	1:00 p.m.	Match 8	8:15 p.m.

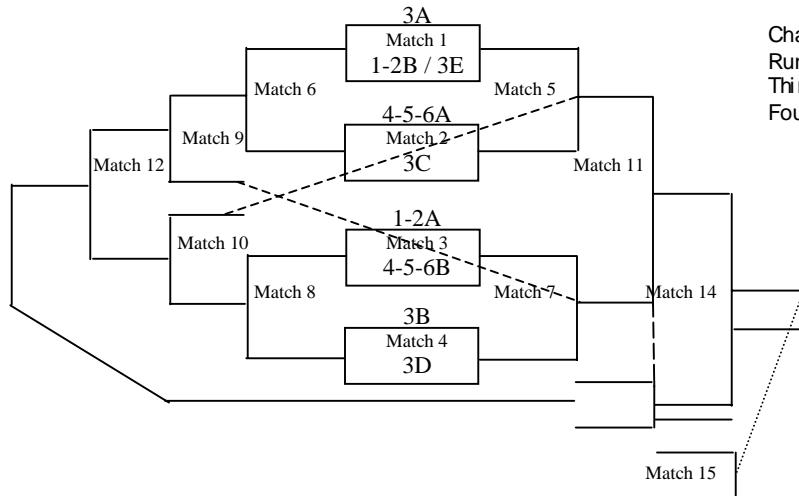
**Saturday, October 29 : 5A/4A/3A/2A**

<u>Session 3</u>		<u>Session 4</u>	
Match 9	9:00 a.m.	Match 13	4:00 p.m.
Match 10	10:30 a.m.	Match 14	5:30 p.m.
Match 11	12:00 p.m.	Match 15	7:00 p.m.*
Match 12	1:30 p.m.		*(if necessary)

**Saturday, October 29: 1A at LCSC**

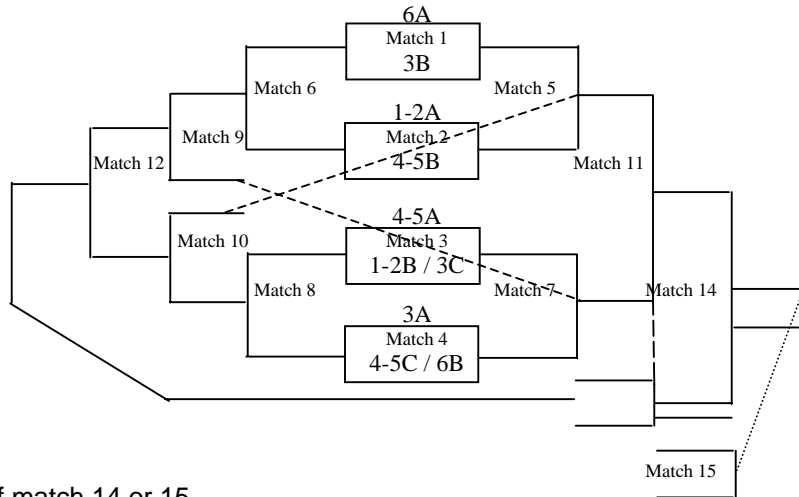
<u>Session 3</u>		<u>Session 4</u>	
Match 9	9:00 a.m.	Match 13	4:00 p.m.
Match 10	9:00 a.m.	Match 14	5:30 p.m.
Match 11	10:30 a.m.	Match 15	7:00 p.m.*
Match 12	10:30 a.m.		*(if necessary)

**5A — Post Falls High School**



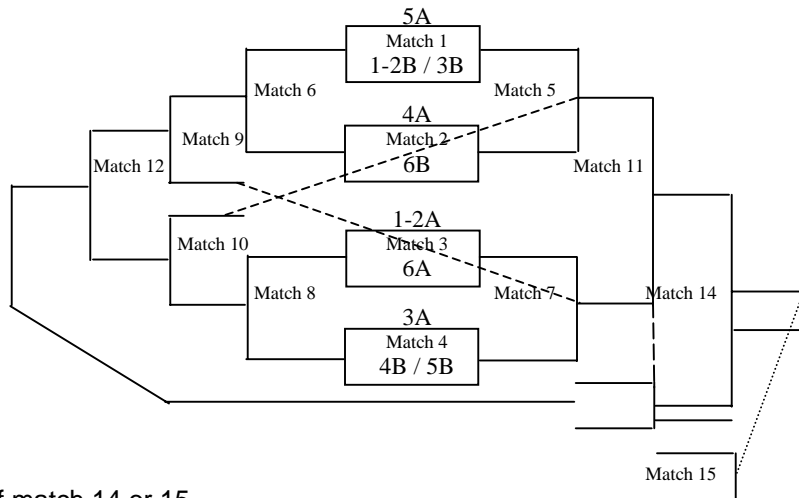
Champion - Winner of match 14 or 15  
 Runner-up - Loser of match 14 or 15  
 Third place - Loser of match 13  
 Fourth place - Loser of match 12

## 4A —Lake City High School



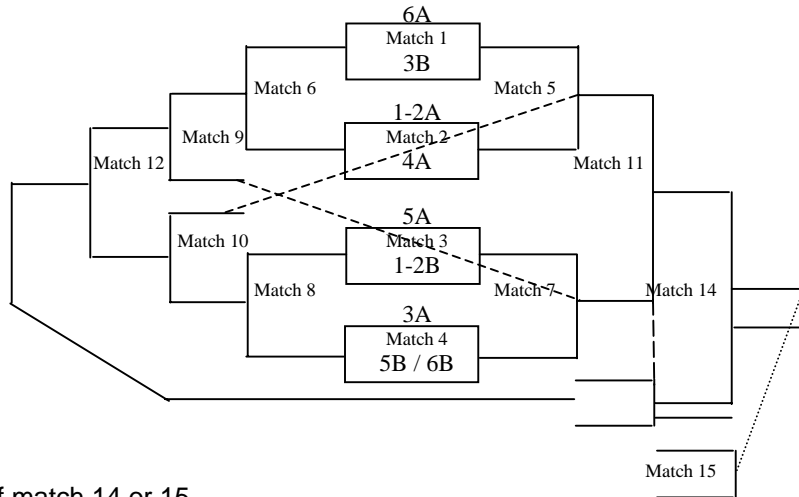
Champion - Winner of match 14 or 15  
 Runner-up - Loser of match 14 or 15  
 Third place - Loser of match 13  
 Fourth place - Loser of match 12

## 3A —Coeur d'Alene High School



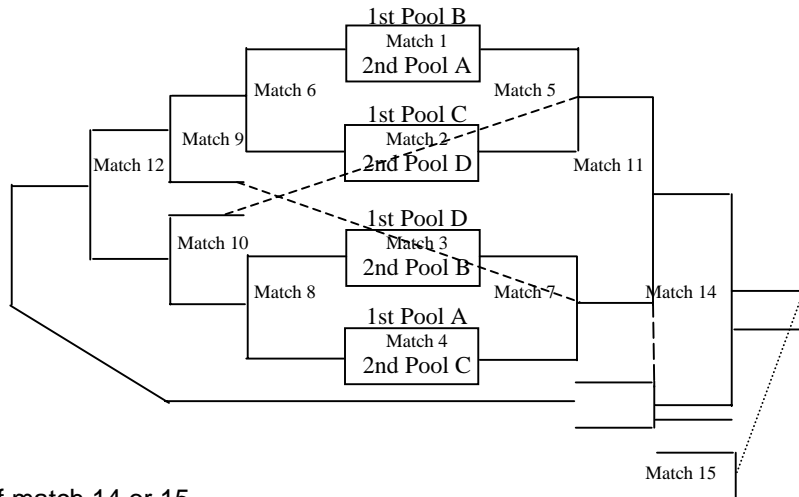
Champion - Winner of match 14 or 15  
 Runner-up - Loser of match 14 or 15  
 Third place - Loser of match 13  
 Fourth place - Loser of match 12

## 2A — Lewiston High School



Champion - Winner of match 14 or 15  
 Runner-up - Loser of match 14 or 15  
 Third place - Loser of match 13  
 Fourth place - Loser of match 12

## 1A — Lewis-Clark State College



Champion - Winner of match 14 or 15  
 Runner-up - Loser of match 14 or 15  
 Third place - Loser of match 13  
 Fourth place - Loser of match 12

### Parade of Athletes

Prior to match 6 on Friday, we will have the Parade of Athletes. The parade adds considerable color and pageantry to the state tournament, but we must rely on the help of all teams to make it work.

Fifteen minutes prior to the start of the parade, coaches should take their players, managers, and assistants to the designated meeting area. The school superintendents, principals, and athletic directors are also invited to join their teams in the parade. Teams should be dressed in court shoes and warm-up uniforms. Details of the parade will be discussed at the coaches' meeting on Thursday and Friday.

The National Anthem will be played after all teams are in place. Upon completion of the National Anthem, teams should leave the court in an orderly fashion. The four teams playing in match 6 will proceed to their respective benches for match play.

### Pep Bands, Pep Clubs, Cheerleaders



1. Seating - Pep bands and pep clubs must use the assigned area.
2. Pep Bands - Schools may have forty-five pep band members admitted free. Schools may bring more band members, but the school will be billed later for the difference. A band director or school official must be present at the time the band is admitted. NOTE: Pep bands may play only during games in which their team participates. Pep bands may play before the match, at time outs, and between games, but PLAYING DURING A LIVE BALL IN EITHER GAME IS PROHIBITED.

Each pep band will be responsible for its own instruments. There are no special facilities for storing instruments at the tournament site. Please bring instruments ONLY to the game in which your team participates. Drums and other instruments are to be used only when the entire pep band plays.

3. Pep Club - All students must present their activity cards to be admitted for the student price. A special seating area will be reserved for the pep club. NOTE: So that preparations can be made for seating, please let the tournament manager know a week in advance if your school's pep band or pep club will attend the tournament.
4. Cheerleaders - All participating schools may have twelve cheerleaders in uniform admitted free.

### Pre-Tournament Practice

A volleyball team will be allowed to practice once at a state tournament site during the week prior to the state tournament, providing arrangements can be made. Practice balls will be provided at the tournament sites. Contact your tournament manager for practice times.

### Programs

The composition, printing and selling of programs is the responsibility of the IHSAA. Each team will receive two complimentary programs from the IHSAA.

### Protests

The IHSAA Board of Directors does not recognize protests of sports officials' decisions. Correction of errors can only be handled in accordance with the National Federation rules.

### Representation

<b>5A</b>		<b>4A</b>			
<u>Dist.</u>	<u>Rep.</u>	<u>Dist.</u>	<u>Rep.</u>		
I-II	1.5	I-II	1.5		
III	4.5	III	2.5		
IV-V-VI	2	IV-V	2.5		
		VI	1.5		
				<b>3A</b>	
<u>Dist.</u>	<u>Rep.</u>	<u>Dist.</u>	<u>Rep.</u>	<u>Dist.</u>	<u>Rep.</u>
I-II	1.5	I-II	2	I	2
III	1.5	III	2	II	3
IV	1.5	IV	1	III	4
V	1.5	V	1.5	IV	5
VI	2	VI	1.5	VI	2

### Rosters and Team Pictures

Team rosters and regular season scores may be submitted via our on-line, interactive form at [idhsaa.org](http://idhsaa.org). Please send pictures as an attachment to an e-mail message as a high quality TIFF or JPG image to [cherylm@idhsaa.org](mailto:cherylm@idhsaa.org). Do not submit hard copies of rosters or scores. On-line rosters should be entered and all pictures received by 4:00 P.M., October 12 to insure placement in the program.

### T-Shirts

T-shirts will be for sale at the tournament sites by McU Sports.

### Towels

Dressing rooms will be assigned daily, but due to limited space, teams are encouraged to dress in their motel rooms. Towels will not be available and teams should bring their own towels for use at the bench. Teams are responsible to pick up litter from the floor of the locker room. Facilities are not available for drying and storage.

## **Training Room**

Training room facilities and a trainer will be available for special assistance or in case of an emergency. Schools should plan to furnish their own tape and supplies.

## **Warm-up Between Matches**

There will be a **maximum** of twenty minutes for pre-match warm-up between matches. The timer should start the clock when the referee starts the pre-match conference with the captains from the respective teams. The time schedule for the pre-match warm-up shall consist of the following 2-5-5-3:

- a. Two minutes: Coin flip to determine the serving and receiving teams.
- b. First 5 minutes: Serving team practices on the full court. Receiving team may practice ball handling outside the playing court.
- c. Next 5 minutes: Receiving team practices on the full court. Serving team may practice ball handling outside the playing court.
- d. Last 3 minutes: Both teams on the court practice serving over the net and receiving.

The warm-up period may be limited to 2-4-4-2 at the discretion of the tournament manager due to schedule requirements. If this becomes necessary, the periods shall consist of:

- a. First 2 minutes: Coin flip to determine serving and receiving teams.
- b. First 4 minutes: Serving team practices on the full court. Receiving team may practice ball handling outside of the playing court.
- c. Next 4 minutes: Receiving team practices on the full court. Serving team may practice ball handling outside of the playing court.
- d. Last 2 minutes: Both teams on the court practice serving and receiving over the net.

Each tournament site has an area designated for team stretching prior to the start of the pre-match warm-up period. **Teams shall not be allowed on the playing court until the clock is started for pre-match warm-ups.**

## **Warm-up and Practice Between Games**

Teams will not be allowed to use the net for practice between games. The ball cannot cross the net.

## **MEDIA INFORMATION**

### **Media Credentials**

Members of the media should use their own media credentials for entrance to the tournament. For those who do not have such credentials, media passes will be issued upon request to the IHSAA or the tournament manager.

### **TV Rights**

No contest may be filmed or videotaped without the expressed written consent of the IHSAA. (Exception: Schools may film or videotape their **own** games for private use.)

## **OFFICIALS**

### **Assignment**

All officials will be provided and assigned by the IHSAA. Each district will have an opportunity to provide an official for each state tournament.

### **Line Judges**

Certified volleyball officials from the host district will be used as line judges whenever possible.

### **Official Scorer**

Official scorers will be provided by the tournament management. The IHSAA will provide official scorebooks, line-up sheets, and team roster sheets.

### **Pre Tournament Meetings**

5A Meeting:	Oct. 27	Post Falls H.S. Commons Area	6:30 p.m.
4A Meeting:	Oct. 27	Lake City H.S. Commons Area	6:30 p.m.
3A Meeting:	Oct. 27	Coeur d'Alene H.S. Commons Area	6:30 p.m.
2A Meeting:	Oct. 27	Main Street Grill 631 Main Street, Lewiston	6:30 p.m.
1A Meeting:	Oct. 26	Main Street Grill, Lewiston 631 Main Street, Lewiston	6:30 p.m.

### **Hospitality Room**

A room will be provided for coaches and officials. However, refreshments will not be provided.

### **Dressing Rooms**

Will be assigned

## District Play-offs

### 5A Play-offs

1-2B at Grangeville High School  
 12:30 p.m., Pacific time  
 3D Sat., Oct. 22, 2005

### 4A Play-offs

1-2B at Grangeville High School  
 2:30 p.m.  
 3C Sat., Oct. 22, 2005

6B at Highland High School, Pocatello  
 12:30 p.m., Pacific time  
 4-5C Sat., Oct. 22, 2005

### 3A Playoff

1-2B Highland High School, Craigmont  
 1:30 p.m, Pacific time  
 3B Sat, Oct. 22, 2005

4B at Highland High School, Pocatello  
 2:30 p.m.  
 5B Sat., Oct. 24, 2005

### 2A Playoff

5B at Highland High School, Pocatello  
 4:30 p.m.  
 6B Sat., Oct. 22, 2005

## STATE VOLLEYBALL WINNERS

### Class A

1976 Snake River Jan Goodwin  
 1977 Wood River David Neumann  
 1978 Wood River David Neumann  
 1979 Skyline Donna Rosen  
 1980 Sandpoint Pam Parks

### Class B

1976 McCall-Donnelly Elise Kraus  
 1977 Hagerman Aggie Brailsford  
 1978 Filer Julie Astorquia  
 1979 Gooding Joleen Toone  
 1980 Homedale Sharon Frost

### 5A

1981 Meridian Hugo Jacobsmeyer  
 1982 Sandpoint Irene Matlock  
 1983 Sandpoint Irene Matlock  
 1984 Sandpoint Irene Matlock  
 1985 Sandpoint Irene Matlock  
 1986 Sandpoint Shelly Siefried  
 1987 Coeur d'Alene Kent Scanlon  
 1988 Madison Bob Boice  
 1989 Madison Bob Boice  
 1990 Pocatello Alice Hunt  
 1991 Bonneville Alane Pierce  
 1992 Madison Bob Boice  
 1993 Centennial Charlotte O'Dale  
 1994 Sandpoint Jeff Hurst  
 1995 Sandpoint Jeff Hurst  
 1996 Bonneville David Albiston  
 1997 Highland Tammy Christian  
 1998 Bonneville David Albiston  
 1999 Sandpoint Jeff Hurst  
 2000 Skyline Tammy Sorensen  
 2001 Centennial Ramey Uriarte  
 2002 Eagle Paul Schwager  
 2003 Idaho Falls Wendy Johnson  
 2004 Idaho Falls Wendy Johnson

### 4A

2000 Sandpoint Jeff Hurst  
 2001 Bonneville David Albiston  
 2002 Sandpoint Jamie Poncho  
 2003 Sandpoint Jamie Poncho  
 2004 Bonneville Dave Albiston

### 3A

1981 Preston Launa Moser  
 1982 St. Maries Mitch Santos  
 1983 Preston Launa Moser

1984 St. Maries  
 1985 St. Maries  
 1986 St. Maries  
 1987 St. Maries  
 1988 St. Maries  
 1989 St. Maries  
 1990 St. Maries  
 1991 St. Maries  
 1992 St. Maries  
 1993 St. Maries  
 1994 Preston  
 1995 Preston  
 1996 Emmett  
 1997 Bear Lake  
 1998 Bear Lake  
 1999 Bear Lake  
 2000 Bear Lake  
 2001 Bear Lake  
 2002 Preston  
 2003 Sugar-Salem  
 2004 Shelley

### 2A

1981 Gooding Joleen Toone  
 1982 Malad Roslyn Brimhall  
 1982 Malad Roslyn Brimhall  
 1984 Malad Roslyn Brimhall  
 1985 Malad Roslyn Brimhall  
 1986 Gooding Joleen Toone  
 1987 Butte County Kevan Kernan  
 1988 Malad Roslyn Brimhall  
 1989 Butte County Kevan Kernan  
 1990 Sugar-Salem Bill Koehler  
 1991 Gooding Joleen Toone  
 1992 Gooding Joleen Toone  
 1993 Filer Ed Richards  
 1994 Wallace Dick Schreiber

1995 Firth Randy Cox  
 1996 Butte County Dean Goodworth  
 1997 Filer Edward Richards  
 1998 West Side Chris White  
 1999 West Side Chris White  
 2000 Nampa Christian Debi Downs  
 2001 Nampa Christian Debi Downs  
 2002 Nampa Christian Debi Downs  
 2003 Nampa Christian Debi Downs  
 2004 Firth Terry Wadsworth

### 1A

1981 Hagerman Aggie Brailsford  
 1982 Cambridge Jon Hussman  
 1983 Troy Lorry Stensland  
 1984 Ketchum Nancy Parsons  
 1985 Clark County Duke Hammond  
 1986 Greenleaf Meredith Beals  
 1987 Genesee Tom Patrick  
 1988 Cambridge Carol Hill  
 1989 Dietrich Denise Dwyer  
 1990 Shoshone Larry Messick  
 1991 Cambridge Terry Walker  
 1992 Cambridge Terry Walker  
 1993 Shoshone Larry Messick  
 1994 Cambridge Terry Walker  
 1995 Troy Bobbi Hazeltine  
 1996 Troy Bobbi Hazeltine  
 1997 Troy Bobbi Hazeltine  
 1998 Troy Bobbi Hazeltine  
 1999 Troy Kortnie Mills  
 2000 Genesee Dave Neumann  
 2001 Genesee Dave Neumann  
 2002 Troy Tera Stoner  
 2003 Troy Tera Stoner  
 2004 Shoshone Larry Messick